

# Picea 2.4 GHz Swivel Antenna

Part No. B5771

Product Specification

## 1 Features

- Designed for 2.4 GHz applications: Bluetooth<sup>®</sup>, Wi-Fi<sup>®</sup> (802.11a/b/g/n), ZigBee<sup>®</sup>, etc., as well as 2.3 GHz WiMAX<sup>™</sup>, 2.5 GHz WiMAX<sup>™</sup> and WiBro applications.
- Easy to integrate
- High efficiency
- Intended for snap-in mounting
- Supplied in bulk

## 2 Description

Picea is intended for use with all 2.4 GHz applications and it has an antenna blade made of a flexible material that can be rotated 360 degrees.

The antenna is intended for snap-in mounting and it uses a ground plane in order to radiate efficiently. The ground plane must extend underneath the antenna itself.

## 3 Applications

- Development tools
- Test equipment
- Access points, routers, etc



## 4 Part number

**Picea: B5771** (PCB thickness = 1.6 mm)

## 5 General data

<b>Product name</b>	Picea 2.4 GHz
<b>Part Number</b>	B5771
<b>Frequency</b>	2.4 – 2.5 GHz
<b>Polarization</b>	Linear
<b>Operating temperature</b>	-40 °C to +85 °C
<b>Impedance with matching</b>	50 Ω
<b>Weight</b>	3.3 g
<b>Antenna type</b>	Swivel
<b>Dimensions</b>	14.9 x 12 x 48 [mm]

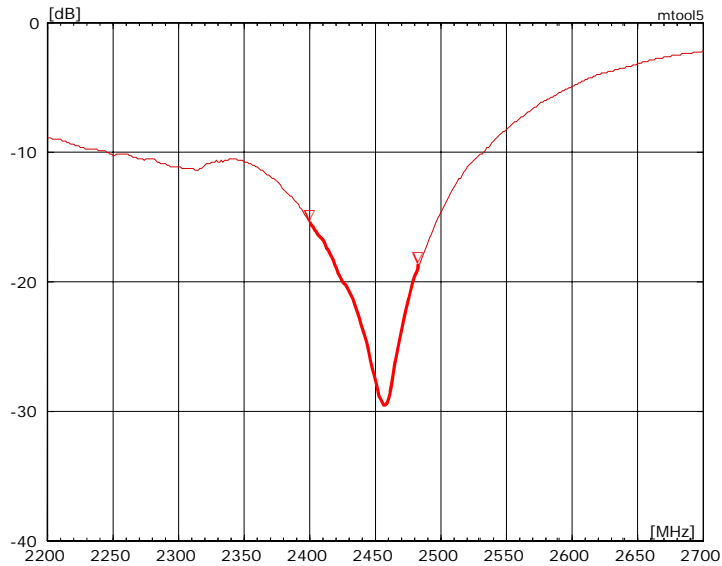
Note: Picea is not intended for outdoor use or applications.

## 6 Electrical characteristics

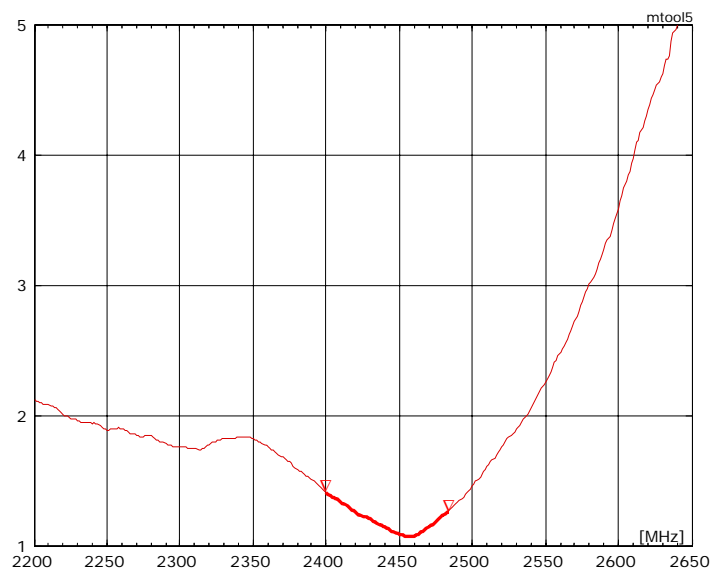
	Typical performance	Conditions
<b>Peak gain</b>	2.1 dBi	All data measured on Antenova's reference board, part number B5771-U1  Data given for the 2.4 – 2.5 GHz frequency range
<b>Average gain</b>	-1.5 dBi	
<b>Average efficiency</b>	70%	
<b>Maximum Return Loss</b>	-12 dB	
<b>Maximum VSWR</b>	1.7:1	

## 7 Electrical performance

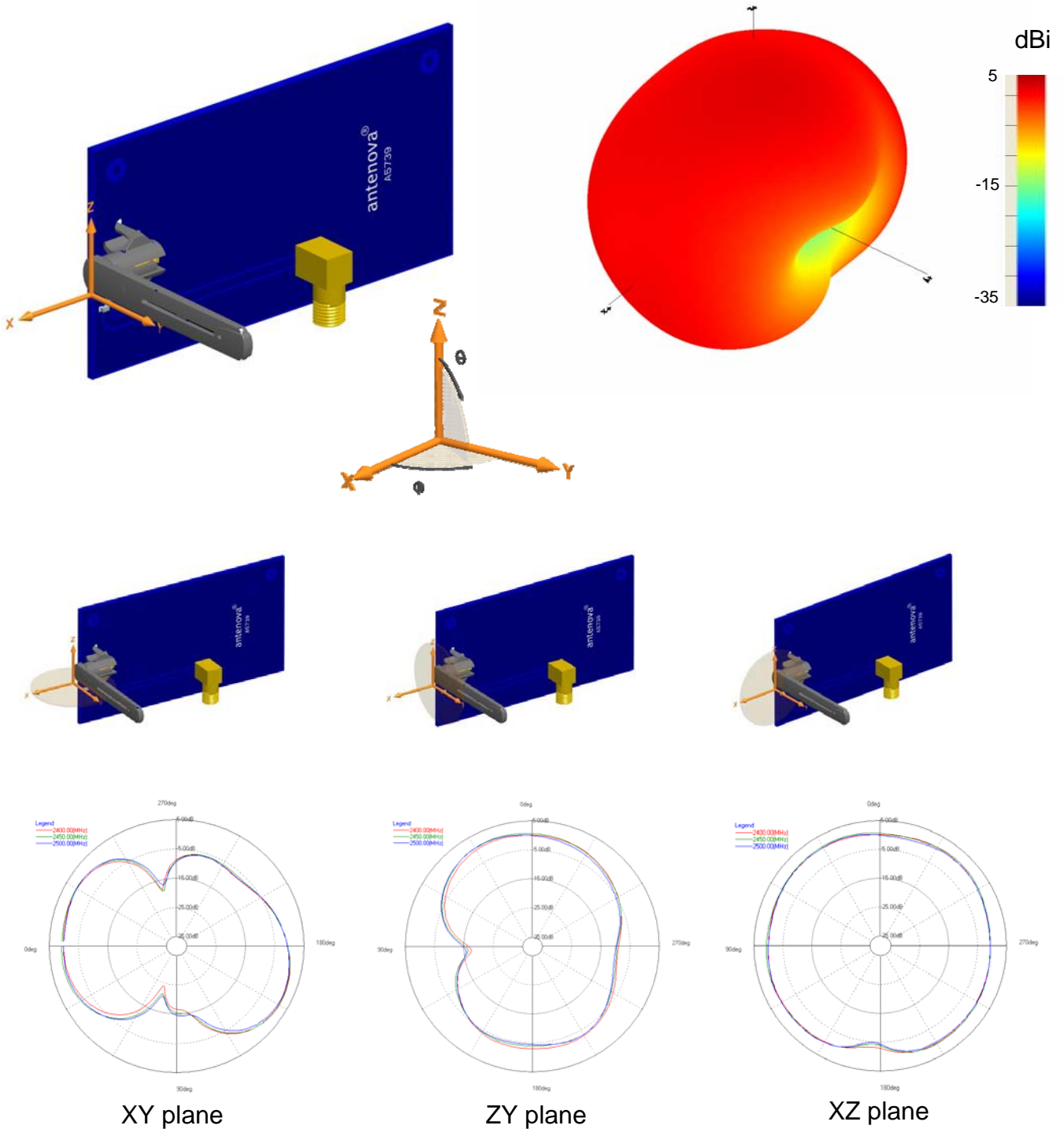
### 7-1 Return Loss



### 7-2 VSWR

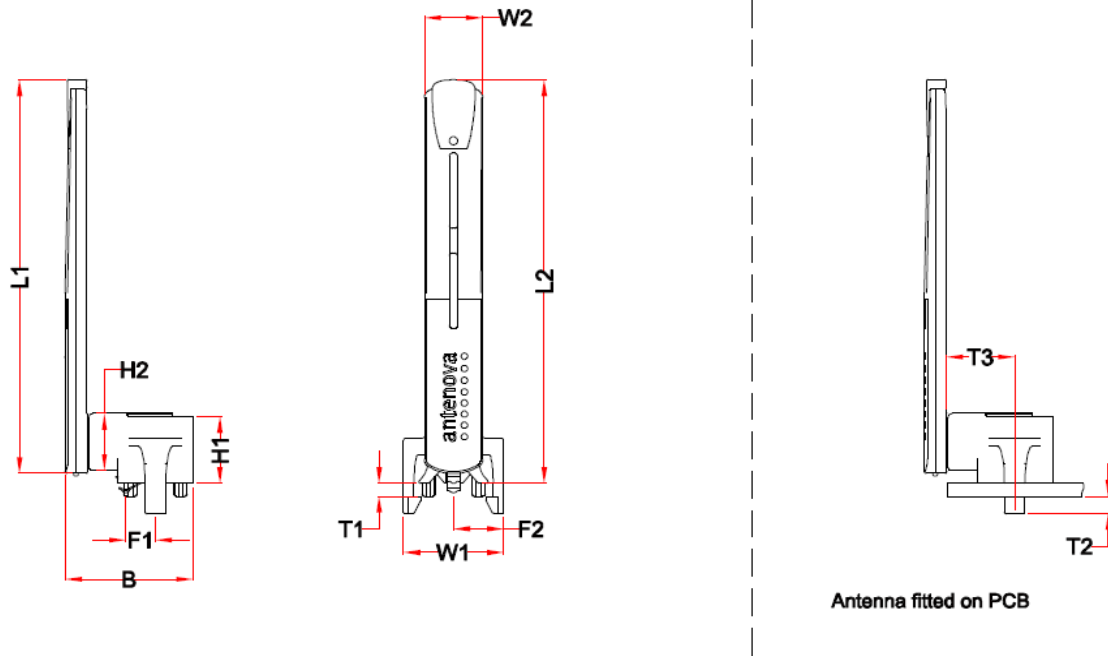


### 7-3 Antenna patterns



Patterns show combined polarisations  
measured on reference board B5771-U1

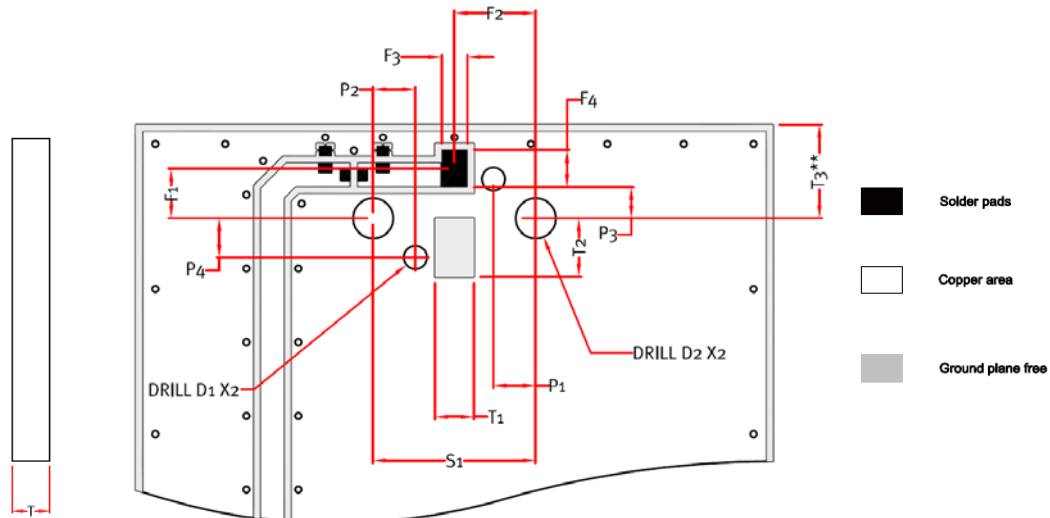
## 8 Antenna dimensions



L1	L2	W1	W2	H1	H2	F1	F2	T1	T2	T3	B
Length	Length	Width	Width	Height	Height	Feed	Feed	PCB Thickness			
48.3 ± 0.3	49.5 ± 0.3	12 ± 0.2	7.0 ± 0.2	8.55 ± 0.2	7.1 ± 0.2	3.55 ± 0.2	6 ± 0.2	1.6 ± 0.05	2.1 ± 0.2	8.0 ± 0.2	14.9 ± 0.2

Dimensions in mm

## 9 Antenna footprint



**Picea (Part No: B5771)**

\* CAD files of the antenna footprint are available from Antenova on request.  
Please contact [info@antenova.com](mailto:info@antenova.com) for further details.

F1	F2	F3	F4	S1	P1/P2	P3/P4	D1	D2	T	T1	T2	T3
Feed	Feed	Feed	Feed	Snap-in	Position	Position	Diameter	Diameter	PCB Thickn.			
4 ± 0.1	6 ± 0.1	2 ± 0.1	2.25 ± 0.1	12.5 ± 0.1	3.25 ± 0.1	3.0 ± 0.1	1.8 ± 0.1	3.1 ± 0.1	1.6 ± 0.1	3.0 ± 0.1	4.5 ± 0.1	Max 7.2

Dimensions in mm

## 10 Electrical interface

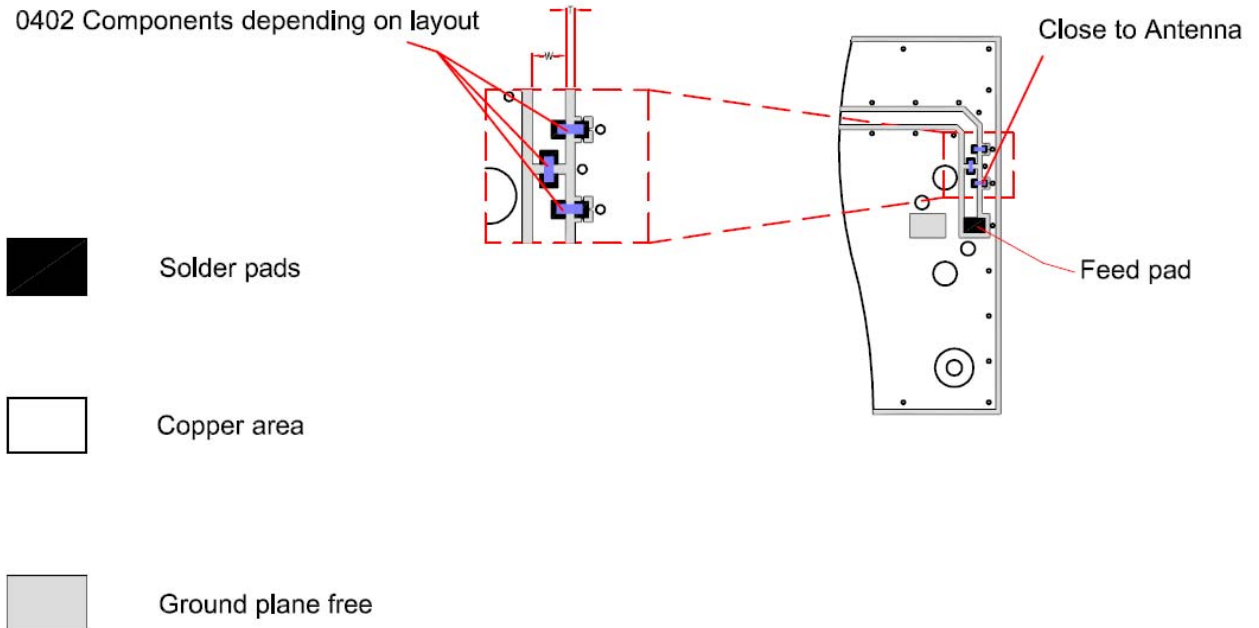
### 10-1 Transmission lines

- All transmission lines should be designed to have a characteristic impedance of 50 Ω
- The length of the transmission lines should be kept to a minimum
- Any other parts of the RF system like transceivers, power amplifiers, etc, should also be designed to have an impedance of 50 Ω

Once the material for the PCB has been chosen (PCB thickness and dielectric constant), a coplanar transmission line can easily be designed using any of the commercial software packages for transmission line design. For the chosen PCB thickness, copper thickness and substrate dielectric constant, the program will calculate the appropriate transmission line width and gaps on either side of the track so the characteristic impedance of the coplanar transmission line is 50 Ω.

## 10-2 Matching circuit

The antenna requires a matching circuit that must be optimized for each customer's product. The matching circuit will require up to three components and the following pad layout should be designed into the device so the correct circuit can be installed:



In addition to the matching circuit, a separate DC blocking capacitor will also be required between the radio and the antenna matching circuit.

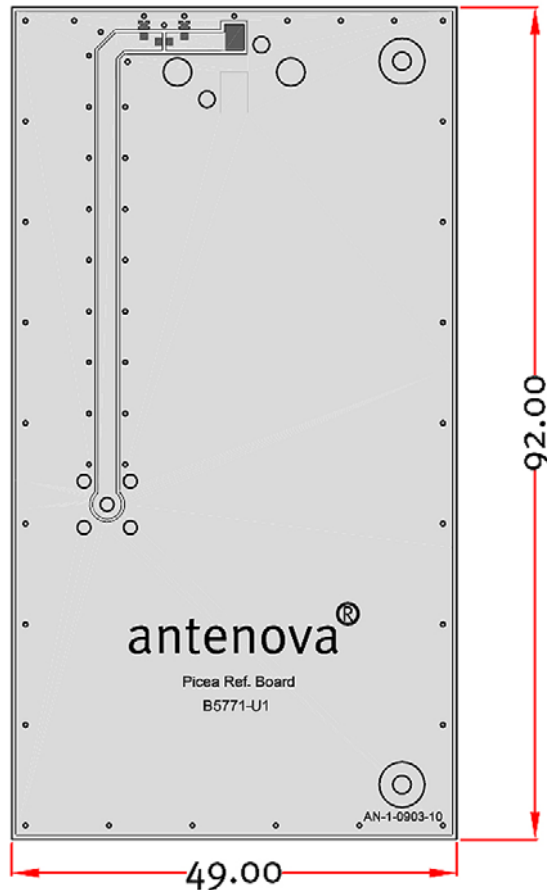
**Note: The component values for the matching circuit will vary depending on the size of the PCB and surrounding components.** The impedance of the antenna should be measured before selecting suitable matching components. Antenova offers this service on request. Contact [info@antenova.com](mailto:info@antenova.com) for further information.

## 10-3 Antenna placement

Antenova strongly recommends placing the antenna near the edge of the board.

## 10-4 Reference board

The reference board has been designed for evaluation purposes of Picea 2.4 GHz and it includes a SMA female connector



Dimensions in mm

To order a reference board contact [info@antenna.com](mailto:info@antenna.com)

## 11 Hazardous material regulation conformance

The antenna has been tested to conform to RoHS requirements. A certificate of conformance is available from Antenova's website.

## 12 Packaging

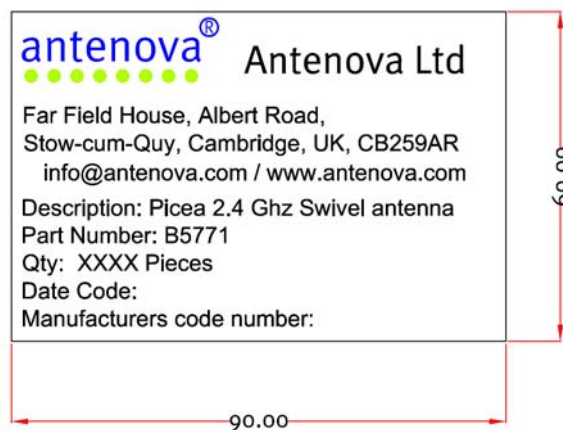
### 12-1 Optimal storage conditions

Temperature	-10°C to 40°C
Humidity	Less than 75% RH
Shelf Life	48 Months
Storage place	Away from corrosive gas and direct sunlight

### 12-2 Packaging information

The antennas are delivered in bulk, enclosed in plastic bags.

### 12-3 Bag label information



Dimensions in mm



**[www.antenova.com](http://www.antenova.com)**

**Corporate Headquarters**

Antenova Ltd.  
Far Field House  
Albert Road  
Stow-cum-Quy  
Cambridge  
CB25 9AR

**Tel:** +44 1223 810600  
**Fax:** +44 1223 810650  
**Email:** [info@antenova.com](mailto:info@antenova.com)

**North America Headquarters**

Antenova Ltd.  
Rogers Business Park  
2541 Technology Drive Suite 403  
Elgin, IL 60124

**Tel:** +1 (847) 551 9710  
**Fax:** +1 (847) 551 9719  
**Email:** [info@antenova.com](mailto:info@antenova.com)

**Asia Headquarters**

Antenova Asia Ltd.  
4F, No. 324, Sec. 1, Nei-Hu Road  
Nei-Hu District  
Taipei 11493  
Taiwan, ROC

**Tel:** +886 (0) 2 8797 8630  
**Fax:** +886 (0) 2 8797 6890  
**Email:** [info@antenova.com](mailto:info@antenova.com)

**Copyright® 2010 Antenova Ltd.** All Rights Reserved. Antenova® and gigaNOVA® are trademarks of Antenova Ltd. Any other names and/or trademarks belong to their respective companies.

The materials provided herein are believed to be reliable and correct at the time of print. Antenova does not warrant the accuracy or completeness of the information, text, graphics or other items contained within these information. Antenova further assumes no responsibility for the use of this information, and all such information shall be entirely at the user's risk.



Certificate No: 4598

**Integrated Antenna and RF Solutions**